

## HAND HELD COMMUNICATOR

### DATA SHEET

FXW

This instrument is a built-in battery type hand-held setting display. It can easily make FCX transmitter, FCX-A/C transmitter, FCX-A II, FCX-AIII transmitter and other smart transmitter communicate with operator.

### Features

1. Easy operation  
Using 16 bits × 4 bits LCD display, it can simply setting and changing by conversational mode.
2. Universal for all models  
Applicable for all FCX series smart transmitter.
3. On-line using  
Even the instrument is connected to the equipment when operating, the DC 4 to 20mA output signal will not be affected.
4. Various protection functions  
For standard equipped transmitter, abnormal diagnostic function, setting value protection key function, low battery voltage alarm function, power automatic standby function, ect.
5. With oprinter(optional)  
It can print setting value on the spot when using the printer.



- Printer(optional): 24 bits and remote item print
- Ambient temperature: -10 ~ 50°C
- Storage temperature: -20 ~ 60°C
- Relative humidity: less than 90%RH
- Power supply: Bulit-in nickel-cadmium battery
- Charger power supply: AC 100, 115, 230V ± 10%, 50/60Hz (according to the specified)
- Charging time: about 5 hours
- Continuous operating time: 24 hours (after full charge, under standard operating state, without options)
- EMC applicable standard: EN61326-1: 2006 (CE)

### Specifications

#### Functional specifications

- Combined devices: All FCX series smart transmitters
  - FCX transmitter
  - FCX-A/C transmitter
  - FCX-AX transmitter
  - FCX-A II transmitter
  - FCX-AIII transmitter
- Condition of communication line: Length: up to 2km  
(0.75 ~ 1.25mm<sup>2</sup> Using twisted pair cable when instrument control cable is more than 1km.
  - Load resistance: 250 ~ 578Ω ...FCX transmitter
  - 250 ~ 600Ω ...other transmitter (DC 24V, including resistance of cable)
  - Load capacitance: 0.22μF or less
  - Load inductance: 3.3mH or less
  - sapcing with power line: 15cm or more (Please avoid parallel wiring.)
- Display unit: LCD 16 bits × 4 rows
- Operating unit: flat buttons (32 pcs), power switch, key switch for setting value protection

#### Performance specifications

- Remote function: see next page
- Power alarm function: advance notice the low battery voltage by the flashing of display part.(Batt ALM)
- Setting value protection function: Whether the setting value can be changed is controlled by the key switch.
- Power automatic standby function: It will automatically turn to standby state (only when data is measured), after 10 min. without operating.

#### Structure and material

- Material: Polycarbonate resin
- Case structure: dust proof type
- Color: gray
- Outline dimensions: 55× 98× 223mm (without printer)
- Weight: about 500g (without printer)

FXW

• Remote function

No.	Items	HHC (FXW)	
		Display	Set
1	Tag No.	<input type="radio"/>	<input type="radio"/>
2	Type	<input type="radio"/>	<input type="radio"/>
3	Serial No. & Software Version	<input type="radio"/>	—
4	Engineering unit	<input type="radio"/>	<input type="radio"/>
5	Range Limit	<input type="radio"/>	—
6	Measuring range	<input type="radio"/>	<input type="radio"/>
7	Damping	<input type="radio"/>	<input type="radio"/>
8	Output mode	<input type="radio"/>	<input type="radio"/>
9	Burnout direction	<input type="radio"/>	<input type="radio"/>
A	Zero/span calibration	<input type="radio"/>	<input type="radio"/>
B	Calibration of output circuit	—	<input type="radio"/>
C	Measured data Self-	<input type="radio"/>	—
D	diagnosis	<input type="radio"/>	—
E	Printer function	<input type="radio"/>	—
F	Lock of adj. function	<input type="radio"/>	<input type="radio"/>
G	Indication of digital indicator	<input type="radio"/>	<input type="radio"/>
H	Linzealize	<input type="radio"/>	<input type="radio"/>
I	Rerange	<input type="radio"/>	<input type="radio"/>
J	Saturation current	<input type="radio"/> Note1)	<input type="radio"/> Note1)
K	Write protect	<input type="radio"/> Note1)	<input type="radio"/> Note1)
L	History		
	-Calibration history	<input type="radio"/> Note1)	<input type="radio"/> Note1)
	-Temperature history	<input type="radio"/>	—

Note1) The version of HHC must be higher than 7.0 when it supports "Saturation current", "Write protect" and "History".

It can upgrade the version by changing ROM, please consult our company's windows or agency shop nearby for details.  
(The software version can be confirmed by the screen of HHC when power on.)

Model code

Digit	Discription	1	2	3	4	5	6	7	8	9	10
4	<Printer> None Yes	F	X	W						1	A
5	<Charger> None AC100V 50/60Hz AC115V, 50/60Hz AC230V, 50/60Hz					0	1	2	3		
7	<Portable package> None Yes							Y	A		
9	<Purpose> General										A
10	<Application> FCX, FCX-A/C, FCX-AX, FCX-AII, FCX-AIII transmitter (Software version of HHC should be higher than 7.0)										4

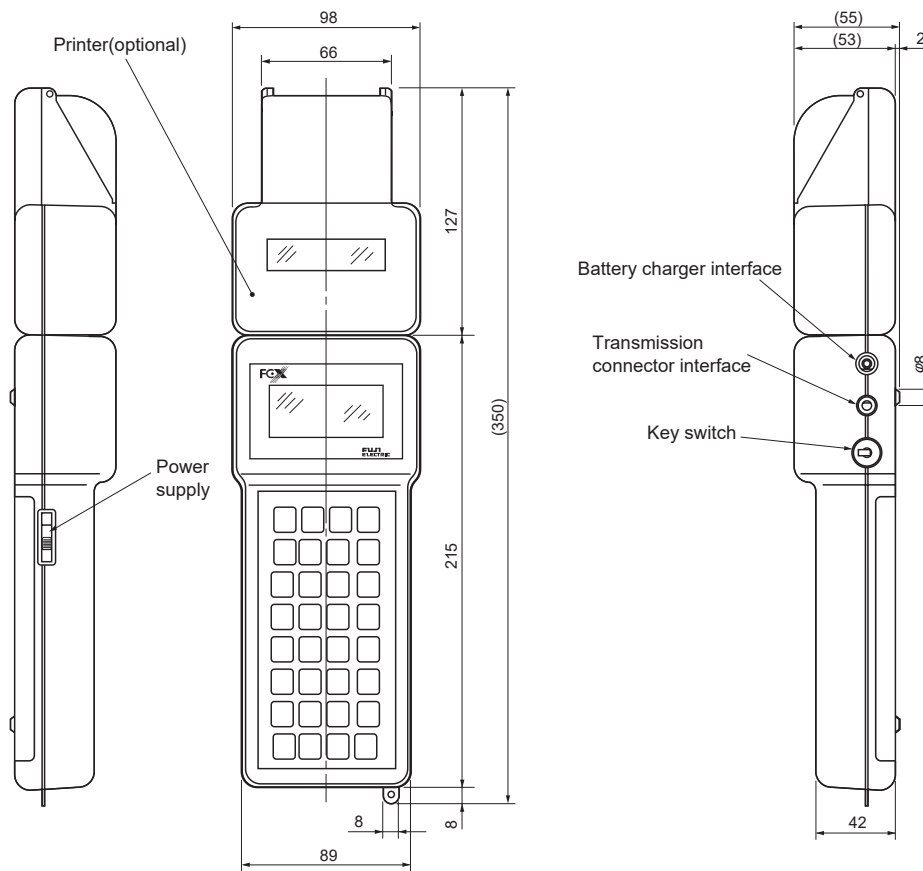
Scope of delivery

HHC, special cable with clamp, 2 keys

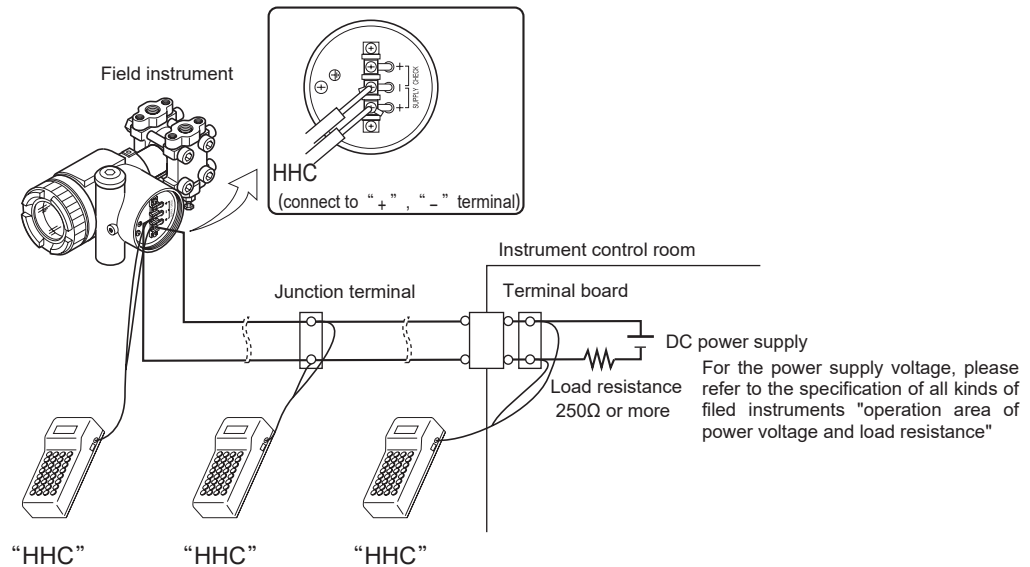
Options

Charger, Portable package, Printer(according to model code)

OUTLINE DIAGRAM (Unit: mm)



Wiring diagram(take FCX-AIII transmitter as an example)



FXW